

PotisBank-L5.0

Utility Scale Liquid-Cooled ESS



iccs PROPRIETARY PATENT ICCS

- Safety valve detection system
- Voltage acquisition accuracy of $\pm 3\text{mv}$
- Thermal runaway confirmation in 30-60s
- Valve opening warning in 3-5min
- Prediction range of 3-6 months

SAFE AND RELIABLE

- Superior thermal management keeps battery temperature within 3°C (37.4°F), minimizing degradation
- Advanced fire detection and suppression ensure early warning and precise fire control

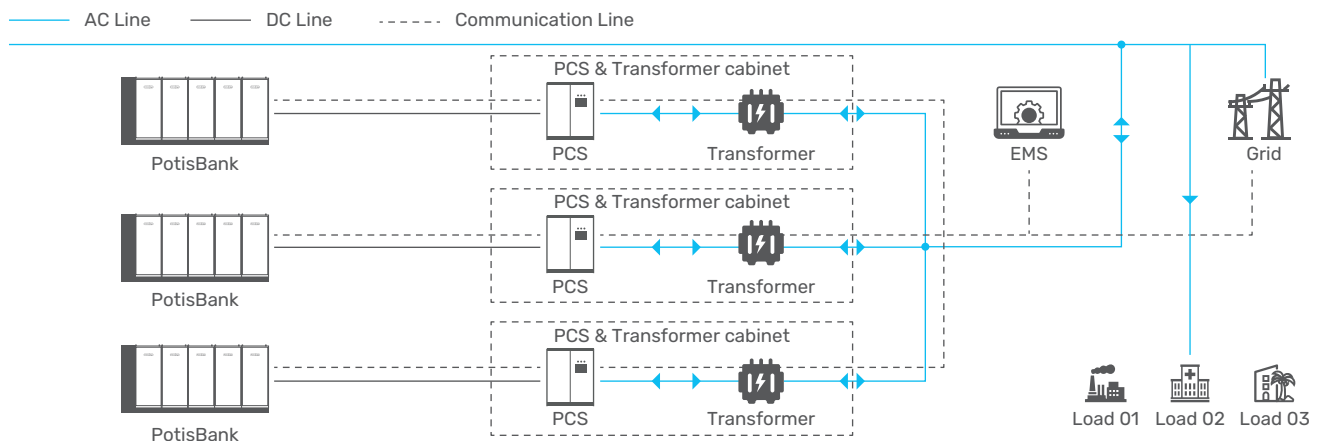
WIDE TEMPERATURE RANGE

- Reliable performance in all environments

SPACE-SAVING DESIGN

- Support parallel and serial configurations to maximize space efficiency and reduce project costs
- Integrated modular

System Diagram



Technical Data		PotisBank-L5.0-1500
DC Side		
Cell type		LFP 314Ah
System battery configuration		10X1P416S
Nominal capacity		5.0MWh
Nominal voltage		1331.2V
Operating voltage range		1164.8V~1500.0V
Nominal charge/discharge rate		0.25P/0.5P
Round trip efficiency		Max. 94%
General Parameter		
Dimensions(W×D×H)		6058×2438×2896mm
Weight		41.5t
Degree of protection		IP55
Anti-corrosion degree		C4, C5 optional
Operation humidity range		0%-95%, RH
Operation temperature range		-30~+55°C
Max. operating altitude		≤2000m
Temperature control method		Liquid Cooling
Noise		75dB@1m
Fire suppression system		Aerosol/Perfluorohexanone(optional)+ water spray
Communication interface		Ethernet/RS485/CAN
Communication protocol		Modbus TCPModbus RTU, CAN2.0, IEC61850, IEC104
Standard & Compliance		
Standard		IEC62619/IEC63056/IEC60730/IEC62477/IEC61000/UL1973/UL9540A UL9540/FCC/UN38.3/UN3536/NFPA68/NFPA69/HMA/NFPA855

*The specifications are subject to change without prior notice.